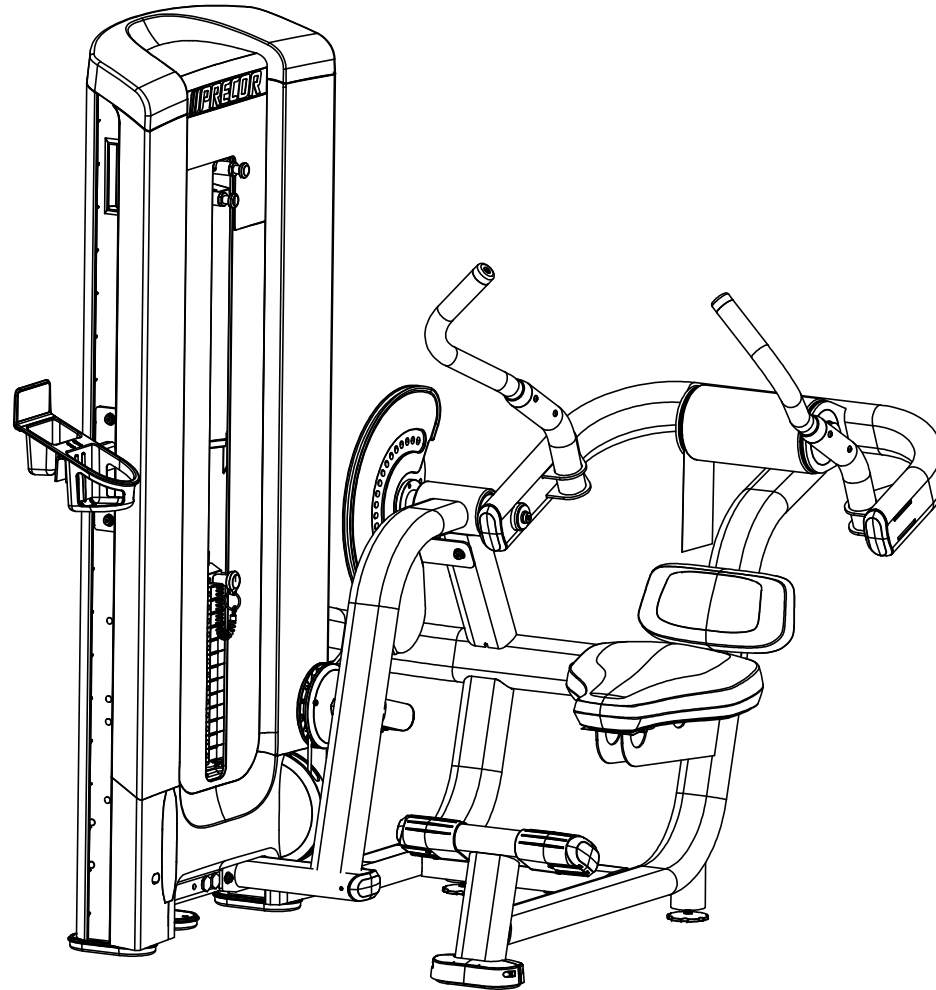


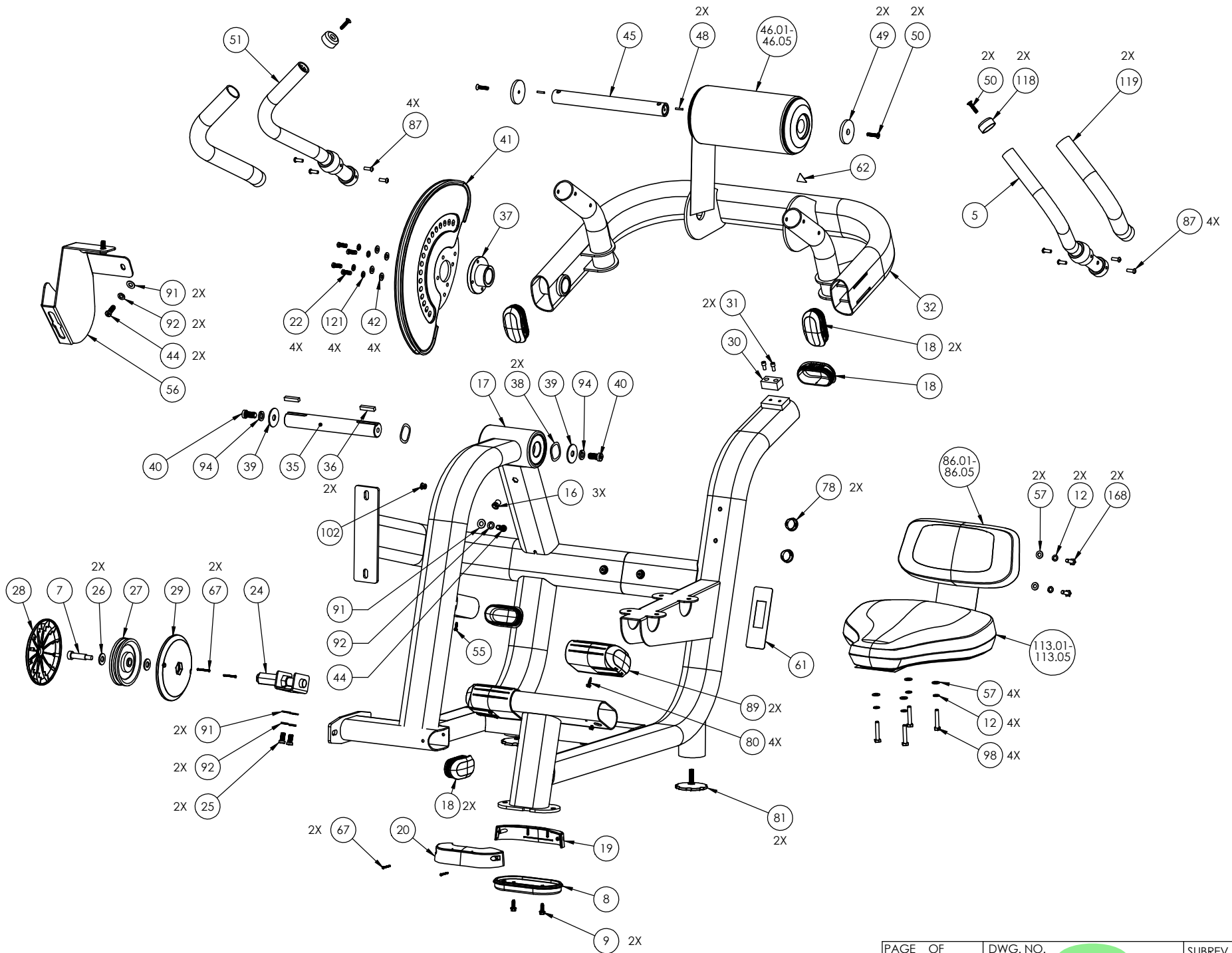
NOTES:

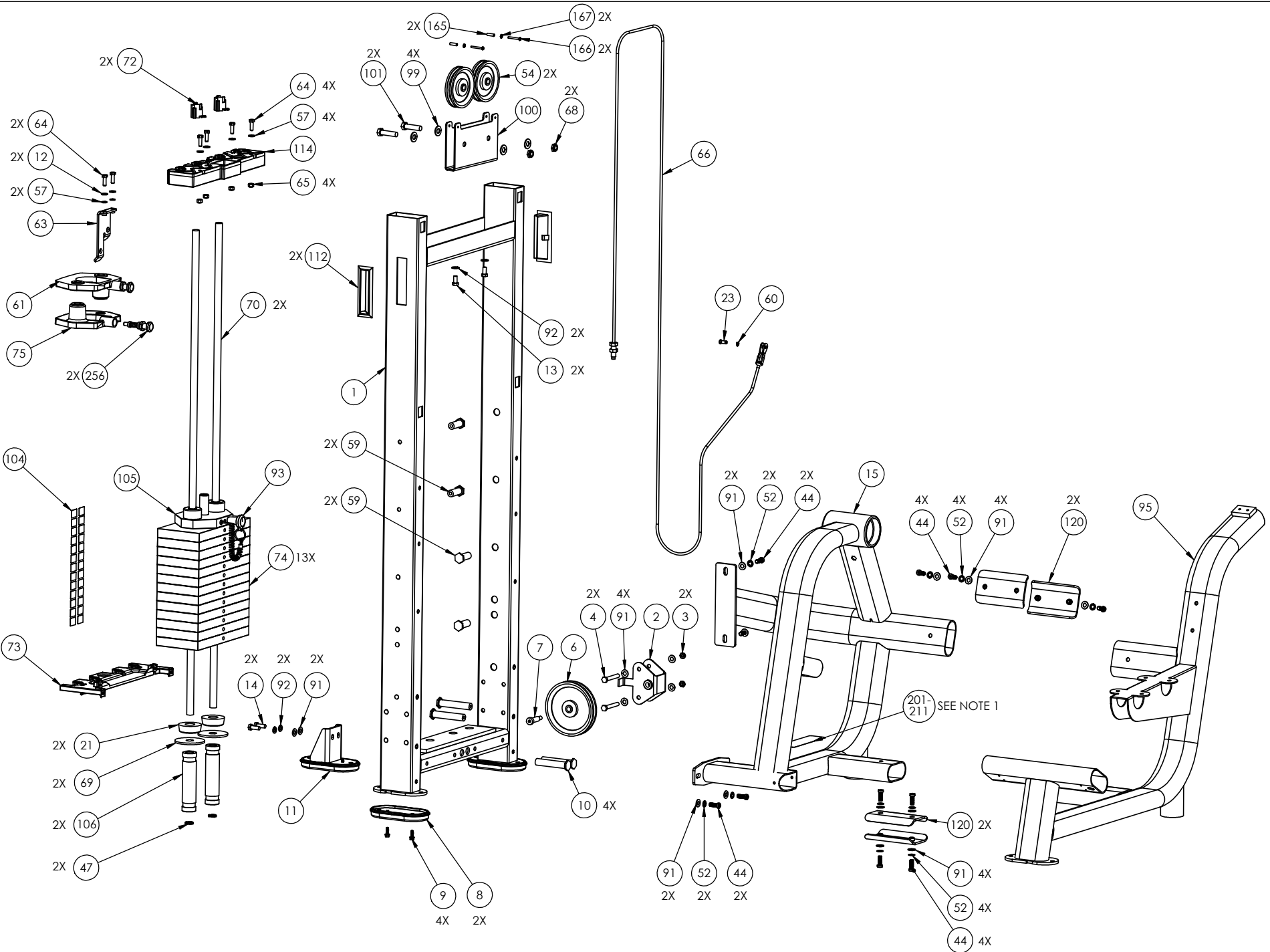
1. THIS LABEL IS FURNISHED AS PART OF A LABEL KIT. ORDER REPLACEMENT LABEL KITS AS FOLLOWS:

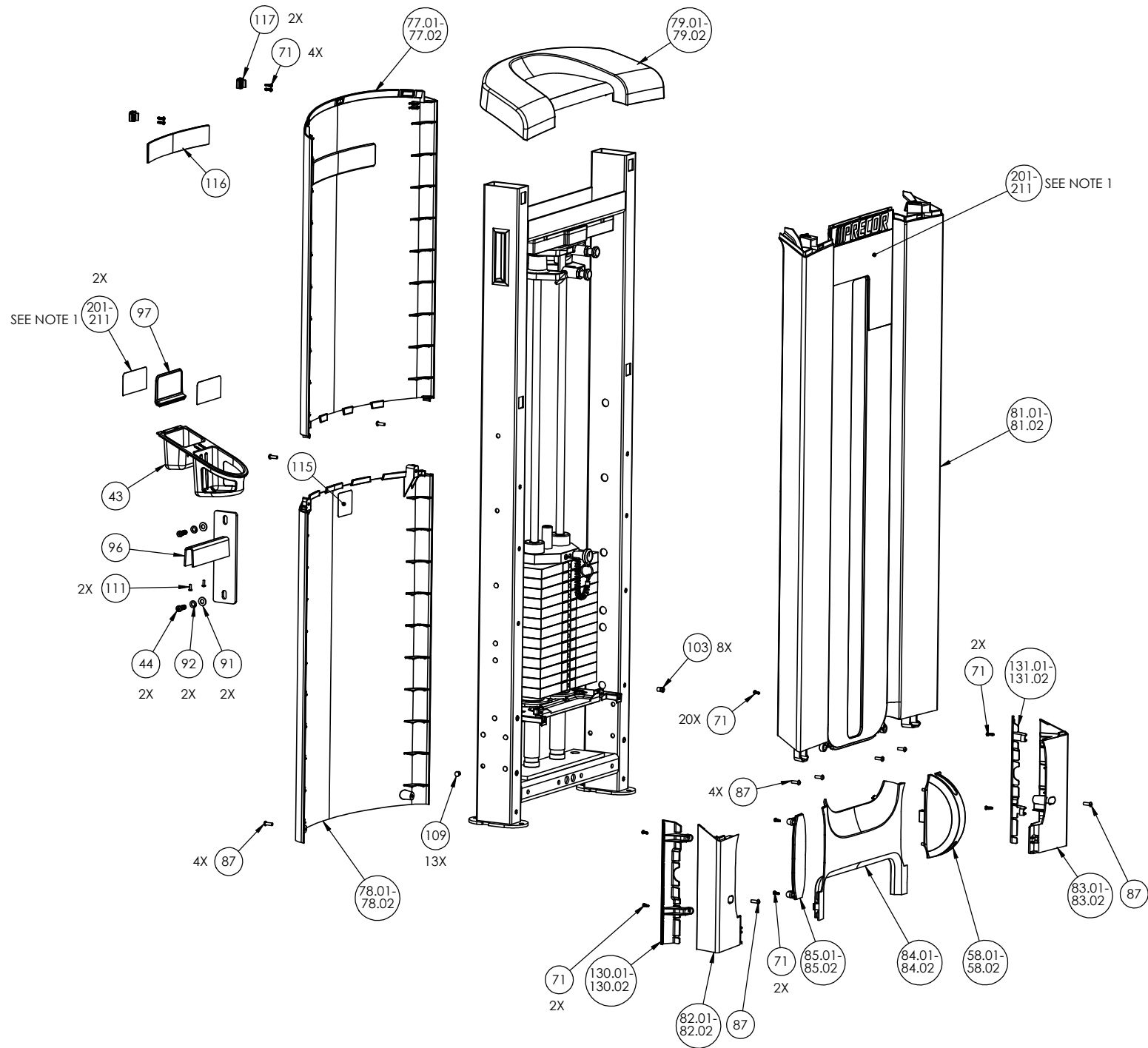
- ENGLISH - BUBBLE #201
- CHINESE - BUBBLE #202
- FRENCH - BUBBLE #203
- GERMAN - BUBBLE #204
- JAPANESE - BUBBLE #205
- SPANISH - BUBBLE #206
- DUTCH - BUBBLE #207
- PORTUGUESE - BUBBLE #208
- RUSSIAN - BUBBLE #209
- HEBREW - BUBBLE # 210
- ITALIAN - BUBBLE #211



C712EC - ABDOMINAL	P/N : CW34214-101	SUBREV : J
DRAWN BY : MAH	DATE : 04.21.11	SHEET 1 OF 4







C712EC, Abdominal, C-Line

Part Number	Description	Bubble Number
CW33767-103	WLDMT, WEIGHT TOWER, SHORT,PTD	1
CW33773-101	WLDMT, WS BASE PULLEY	2
CWKACN038-027	LOCKNUT,HALF, 3/8-16, ZN	3
CWHCCN038-275	SCREW, HEX, CLR. ZINC, 3/8-16 X 2 3	4
CW50264-101	ASSEMBLY, ARM, ABDOMINAL, LEFT	5
CWAC1010-101	PULLEY, 6 DIA X 1/2 ID	6
CWRANN038-150	BOLT, SHOULDER, 3/8-16 X 1/2 X 1 1/	7
CWPLCN025-075	SLOTTED, HEX, WASHER, HEAD, 1/4-20	9
CW33991-101	WEIGHT TOWER BOLT ON, LONG	10
CW34380-101	ASSY, STABILITY FOOT	11
CWWALCN031-008	WASHER, SPLIT, 5/16 ID, ZN	12
CWHCCN038-075	SCREW, HEX, CLR. CLR. ZINC, 3/8-16	13
CWHCCN038-100	SCREW, HEX, CLR ZINC, 3/8-16 X 1.00	14
CW50236-101	ASSEMBLY, FRAME, BACK EXTENSION	15
CW12112-103	RIVNUT,INSERT, HEX, 3/8-16, .685 LO	16
CW33996-101	DOUBLE D TUBE END CAP	18
CW34061-103	FOOT COVER FRONT, 15 DEGREES SHORT	19
CW34061-104	FOOT COVER BACK, 15 DEGREES SHORT	20
CW12402-101	BUMPER, ID 1.050, BLK RUBBER	21
CWCPTN031-075	SCREW, SOCKET LOW HEAD, BLACK SHARP	22
CW34252-101	PIN, CLEVIS W/ GROOVE,5/16 DIA	23
CW34267-104	WLDMT, PULLEY MOUNT	24
CWCPMN038-075	SCREW, SCKT LW HD,MCH CLR ZI,3/8-16	25
CWWBCN050-010	WASHER, FLAT, TYPE A, NARROW, 1/2 I	26
CWAC1009-101	PULLEY, 4 1/2 DIA X 1/2 ID	27
CW33997-107	4.5" PULLEY COVER, HEX MOUNT, FRONT	28
CW33997-110	4.5" PULLEY COVER, HEX MOUNT, BACK	29
CW49768-101	1 X 1.75 X 0.75 BUMPER WITH STEEL B	30
CWCAMN025-050	SCREW,SKHD,1/4-20 X .50, ZN,(MECH P	31
CW34230-102	WLDMT, ARM, AB	32
CW49209-103	BEARING TOLERANCE RING, AN-72X17-S9	33
CW10158-102	BEARING, BALL, 6207, 72MM OD X 35MM	34
CW34271-101	BAR, 1 7/16 DIA, PIVOT SHAFT	35
CW10220-101	KEY, SQUARE, 5/16 X 1-1/2	36
CW33754-101	BAR, 3.50 DIA. X 1.50	37
CWWAHNN140-002	WASHER,WAVE, 1.40 ID, 1.82 OD, .02	38
CWWABCN050-010	WASHER, FENDER, 1/2 ID X 1 3/4 OD,	39
CWCPMN050-100	SCREW, SCKT LW HD, MCH CLR ZI,1/2-1	40
CW33932-101	CAM, MOLDED PULLEY	41
CWWBTN031-007	WASHER, FLAT, TYPE A, SAE, 5/16 ID	42
CW34787-101	WATER BOTTLE HOLDER, WEIGHT STACK	43
CWCPMN038-100	SCREW, SCKT LW HD, MCH CLR ZI,3/8-1	44
CW34898-102	ASSEMBLY, ROLLER SHAFT, ABDOMINAL	45
CWPD4024-101	SHORT ROLLER PAD, RENOVO, BLACK	46.01
CWPD4024-114	SHORT ROLLER PAD, RENOVO, CUSTOM	46.02
CWPD4024-118	SHORT ROLLER PAD, IMP BLUE	46.03
CWPD4024-122	SHORT ROLLER PAD, PAPRIKA	46.04
CWPD4024-131	SHORT ROLLER PAD, MAHOGANY	46.05

CW12651-101	WAVE SPRING, .85 OD X .66 ID X .17	47
CW35033-102	ROLLER END CAP, UHMWPE	49
CWMACMN025-100	SCREW, FLT HEAD, SOCKET, MECH CLR Z	50
CWMACTN025-100	SCREW, FLT HEAD, SOCKET, BLK SHARPE	50
CW50265-101	ASSEMBLY, ARM, ABDOMINAL, RIGHT	51
CWWATCHN038-032	WASHER, LK, INT. TOOTH, .375	52
CW11095-107	CAP, PLASTIC, HEYCO, DOME PLUG, 0.3	55
CW34280-101	FORMED,PLATE,10 GA(.135)THK,CABLE G	56
CWVBCN031-007	WASHER, FLAT, TYPE A, SAE, 5/16 ID	57
CW34012-103	PULLEY COVER, 6 INCH, SILVER GRAY	58.01
CW34012-104	PULLEY COVER, 6 INCH, AMAZON STONE	58.02
CW33991-102	WEIGHT TOWER BOLT ON, SHORT	59
CWAECN031-003	E-RING, .31 DIA X .03 THICK, CLR ZN	60
CW33966-103	ASSEMBLY, CAST DROP DOWN, TOP	61
CW33967-102	PLATE, .19 THICK, DRP DW WT MNT	63
CWHCCN031-100	SCREW, HEX, GR 5, 5/16-18 X 1.0, ZN	64
CWKACN031-016	LOCKNUT, HALF, 5/16-18, ZN	65
CWCLNP133-375	ASSY, CABLE, ABDOMINAL	66
CWPMTN016-125	SCREW, SELF TAPPING, #8 X 1 1/4 PHIL	67
CW33894-101	WASHER, BUMPER BACKING	69
CW33994-101	BAR, .750 DIA, SHORT GUIDE ROD	70
CWPMTN016-063	SCREW, SELF TAPPING, #8 X 5/8 PHIL,	71
CW34015-101	UPPER GUIDE ROD LOCK	72
CW34367-101	LOWER COVER SUPPORT ASSY	73
CW34292-101	ASSEMBLY, WEIGHT PLATE, RECTANGULAR	74
CW33966-102	ASSEMBLY, CAST DROP DOWN, BOTTOM	75
CW34072-101	ASSY, BACK TOP SHROUD, SHORT, PACIF	77.01
CW34072-102	ASSY, BACK TOP SHROUD, SHORT, DARK	77.02
CW11095-109	CAP, PLASTIC, HEYCO, DOME PLUG, 1.0	78
CW34375-101	ASSY, COVER, BACK, LOWER, SHORT, PAC	78.01
CW34375-102	ASSY, COVER, BACK, LOWER, SHORT, DAR	78.02
CW33947-103	COVER, TOP	79.01
CW33947-104	COVER, TOP, AMAZON STONE	79.02
CWPHTN019-075	SCREW, S/T, #10 X 3/4, WASHER HEX HE	80
CW34005-103	ASSY, WINDOW BASE SHROUD, SHORT, SI	81.01
CW34005-104	ASSY, WINDOW BASE SHROUD, SHORT, AM	81.02
CW34343-101	CORNER COVER ASSY, LEFT, SILVER GRA	82.01
CW34343-103	CORNER COVER ASSY, LEFT, AMAZON STO	82.02
CW34343-102	CORNER COVER ASSY, RIGHT, SILVER GR	83.01
CW34343-104	CORNER COVER ASSY, RIGHT, AMAZON ST	83.02
CW33945-101	COVER, CENTER	84.01
CW33945-102	COVER, CENTER, AMAZON STONE	84.02
CW34013-101	PLUG, PULLEY, SILVER GRAY	85.01
CW34013-102	PLUG, PULLEY, AMAZON STONE	85.02
CWPD4030-101	LOWER BACK PAD, W/ BP, RENOVO, BLAC	86.01
CWPD4030-114	LOWER BACK PAD, W/ BP, RENOVO, CUST	86.02
CWPD4030-118	LOWER BACK PAD, W/ BP, RENOVO, IMP	86.03
CWPD4030-122	LOWER BACK PAD, W/ BP, RENOVO, PAPR	86.04
CWPD4030-131	LOWER BACK PAD, W/ BP, RENOVO, MAHO	86.05
CWTATN025-075	SCREW, BUTTON HEAD, SHARPERIZED BLK	87
CW34062-101	FOOT ASSIST COVER	89

CW39916-103	FOOT, ADJUSTING, NO LOGO	90
CWWBCN038-007	WASHER, FLAT, TYPE A, 3/8 ID X 13/1	91
CWWALCN038-009	WASHER, SPLIT, 3/8 ID, CLR ZINC	92
CW33870-104	ASSEMBLY, 5" WEIGHT STACK PIN & LEA	93
CWWALCN050-013	WASHER, SPLIT, 1/2 ID, CLR ZINC	94
CW34283-103	WLDMT, FRAME, BASE, OUTER, AB	95
CW34364-101	WLDMT, WATER BOTTLE HOLDER	96
CW34788-101	LABEL PLACARD, WATER BOTTLE, WEIGHT	97
CWHCCN031-175	SCREW, HEX, GR 5, 5/16-18 X 1 3/4 C	98
CW11095-110	CAP, PLASTIC, HEYCO, DOME PLUG, .5"	102
CW12112-101	RIVNUT, INSERT, HEX, 1/4-20	103
CW50267-101	KIT, WEIGHT STACK LABELS, 170 LB	104
CW34298-101	ASSEMBLY, TOP PLATE, 215 LBS RECTAN	105
CW33633-101	BAR, 1.50 DIA, WEIGHT STACK RISER	106
CW11095-107	CAP, PLASTIC, HEYCO, DOME PLUG, 0.3	109
CWMGCN016-050	SCREW, MCH, 8-32 X 1/2, PANHD, PHIL	111
CW34067-101	PLASTIC RECESSED HANDLE	112
CWPD4003-101	SEAT PAD, RENOVO, BLACK	113.01
CWPD4003-114	SEAT PAD, RENOVO, CUSTOM	113.02
CWPD4003-118	SEAT PAD, RENOVO, IMP BLUE	113.03
CWPD4003-122	SEAT PAD, RENOVO, PAPRIKA	113.04
CWPD4003-131	SEAT PAD, RENOVO, MAHOGANY	113.05
CW34014-101	UPPER GUIDE ROD SUPPORT	114
CW34373-101	LABEL, CABLE BOLT WARNING STRENGTH,	115
CW34073-102	PRECOR BADGE, BACK	116
CW34074-101	REAR COVER SNAP	117
CW34060-101	END CAP, HANDLE, AL, 1.25" OD	118
CWGR4716-500	GRIP, RUBBER, 1-1/4" OD HANDLE, 16.	119
CW33880-101	FORMED, PLATE, .19 THICK, DOUBLE-D CO	120
CWWALYN031-008	WASHER, SPLIT, 5/16 ID, BL	121
CW34341-101	BOTTOM, EDGE COVER, RAIL, LEFT, SIL	130.01
CW34341-103	BOTTOM, EDGE COVER, RAIL, LEFT, AMA	130.02
CW34341-102	BOTTOM, EDGE COVER, RAIL, RIGHT, SI	131.01
CW34341-104	BOTTOM, EDGE COVER, RAIL, RIGHT, AM	131.02
CW35978-101	DBL PULLY BRKT, FORMED PLATE, 10GA(.1	160
CWAC1009-101	PULLEY, 4 1/2 DIA X 1/2 ID	161
CWHCCN050-200	SCREW, HEX HEAD, ZN, 1/2-13 X 2.0	162
CWKACN050-031	LOCKNUT, HALF, 1/2-13, ZN	163
CWWBCN050-010	WASHER, FLAT, TYPE A, NARROW, 1/2 I	164
CW35980-101	SPACER, ALU, .166 ID X .25 OD X .875	165
CWMGCN016-150	SCREW, MCH, 8-32 X 1-1/2, PANHD,	166
CWWAMCN016-020	WASHER, LOCK, EXT TOOTH, #8	167
CWHCCN031-125	1 SCREW, HEX, GR 5, 5/16-18 X 1 1/4 C	168
CW34208-101	LABEL KIT, ENGLISH, ABDOMINAL	201
CW34208-102	LABEL KIT, CHINESE, ABDOMINAL	202
CW34208-103	LABEL KIT, FRENCH, ABDOMINAL	203
CW34208-104	LABEL KIT, GERMAN, ABDOMINAL	204
CW34208-105	LABEL KIT, JAPANESE, ABDOMINAL	205
CW34208-106	LABEL KIT, SPANISH, ABDOMINAL	206
CW34208-107	LABEL KIT, DUTCH, ABDOMINAL	207
CW34208-108	LABEL KIT, PORTUGUESE, ABDOMINAL	208

CW34208-109	LABEL KIT, RUSSIAN, ABDOMINAL	209
CW34208-110	LABEL KIT, HEBREW, ABDOMINAL	210
CW34208-111	LABEL KIT, ITALIAN, ABDOMINAL	211
CW50271-101	KIT, DROP DOWN WEIGHTS.	250
CW50288-101	KIT, POP PIN, DROP DOWN WEIGHT	256
CW35145-101	CUT PIECE CREPE, .06" THICK	257
CW11095-111	CAP, PLASTIC, HEYCO, PRY OUT PLUG,	265
CW34961-141	LIT KIT, EXPERIENCE C, ABDOMINAL, E	999